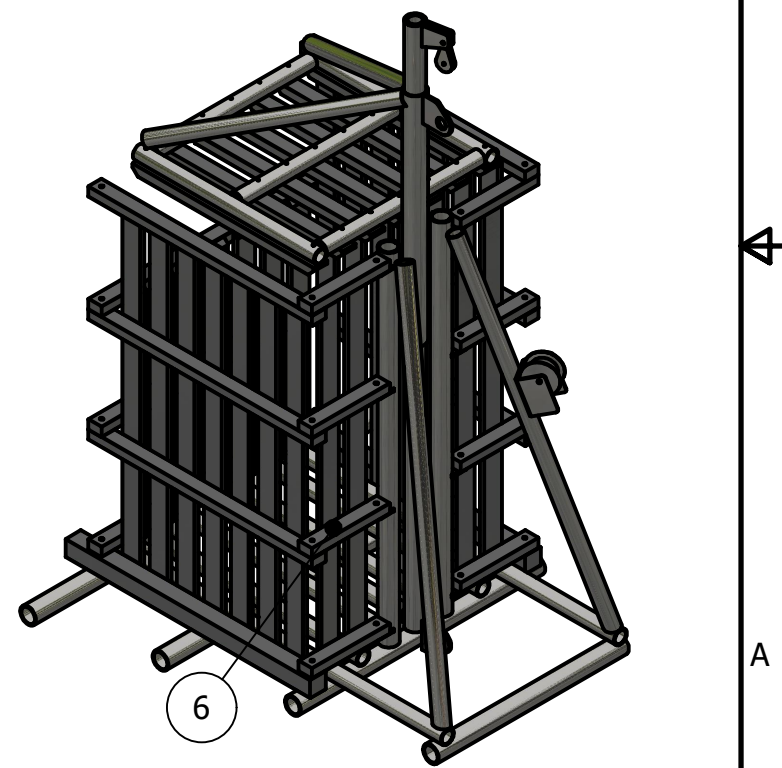
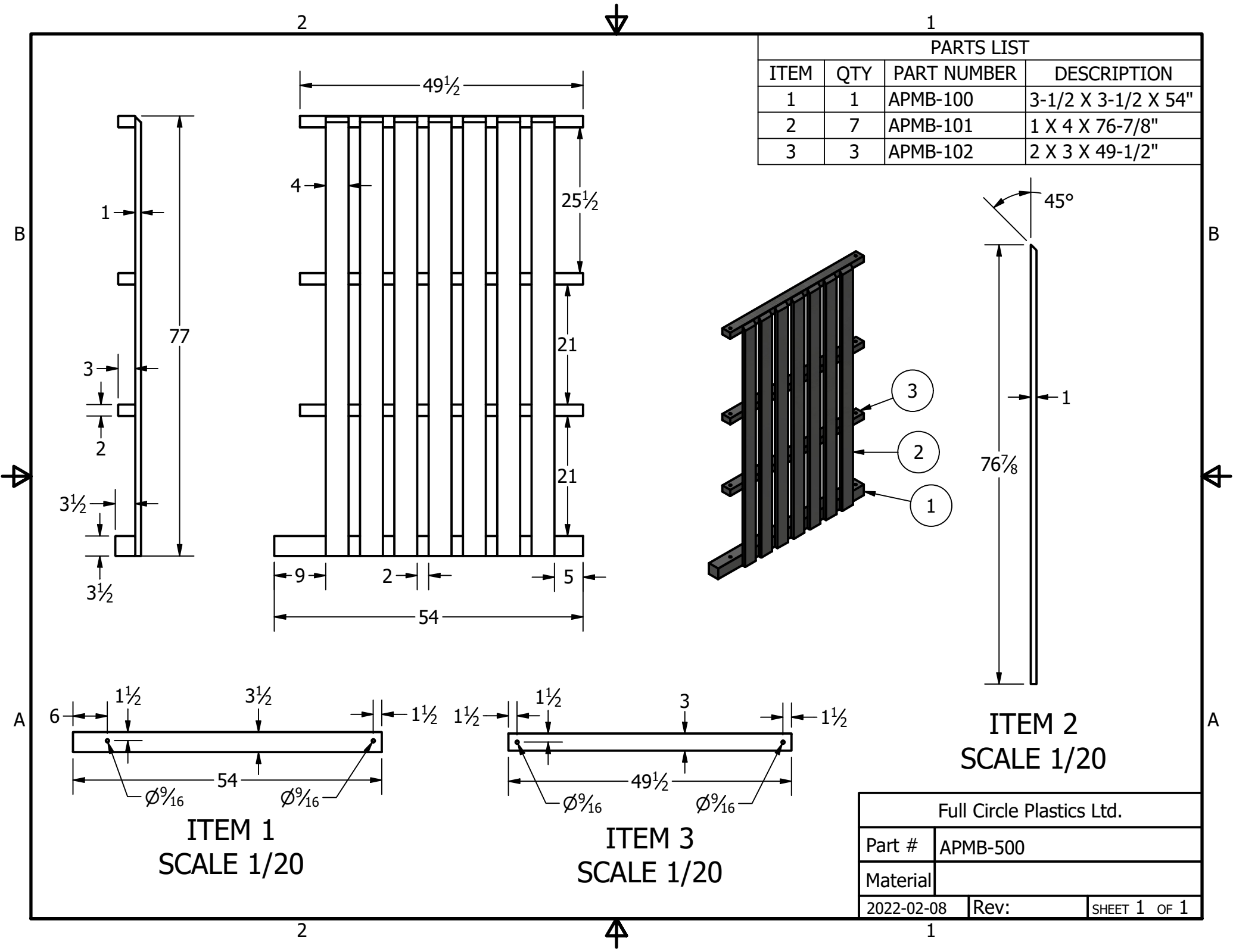


PARTS LIST		
ITEM	QTY	PART NUMBER
1	1	APMB-500
2	1	APMB-501
3	1	APMB-502
4	1	APMB-503
5	1	APMB-504
6	1	APMB-505
7	1	APMB-507
8	1	APMB-508
9	1	APMB-PULLEY



Full Circle Plastics Ltd.		
Part #	APMB-700	
Material		
2022-02-09	Rev:	SHEET 1 OF 1



1

2

PARTS LIST

ITEM	QTY	PART NUMBER	DESCRIPTION
1	1	APMB-100	3-1/2 X 3-1/2 X 54"
2	7	APMB-101	1 X 4 X 76-7/8"
3	3	APMB-102	2 X 3 X 49-1/2"

B

B

A

A

ITEM 1
SCALE 1/20

ITEM 3
SCALE 1/20

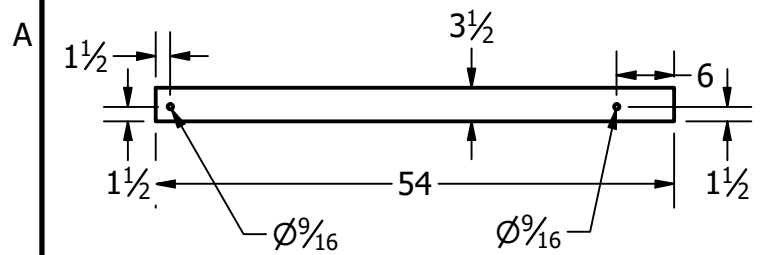
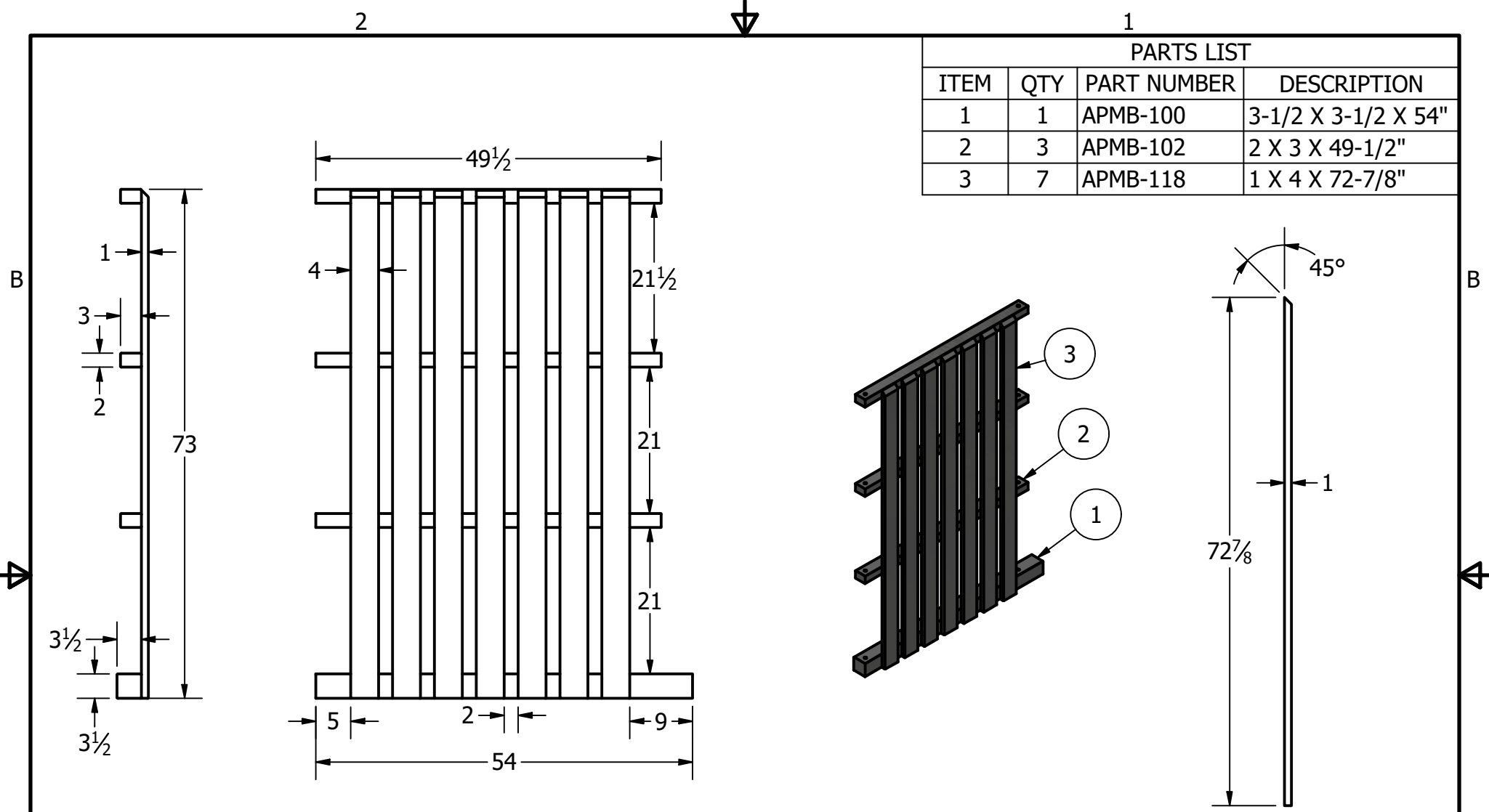
ITEM 2
SCALE 1/20

Full Circle Plastics Ltd.		
Part #	APMB-500	
Material		
2022-02-08	Rev:	SHEET 1 OF 1

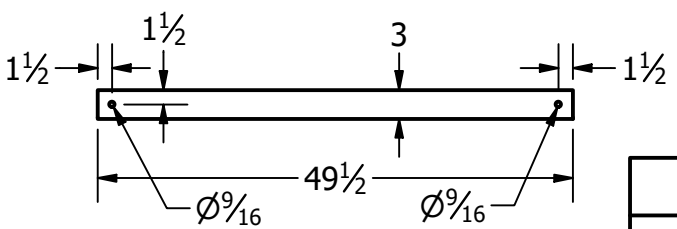
1

2

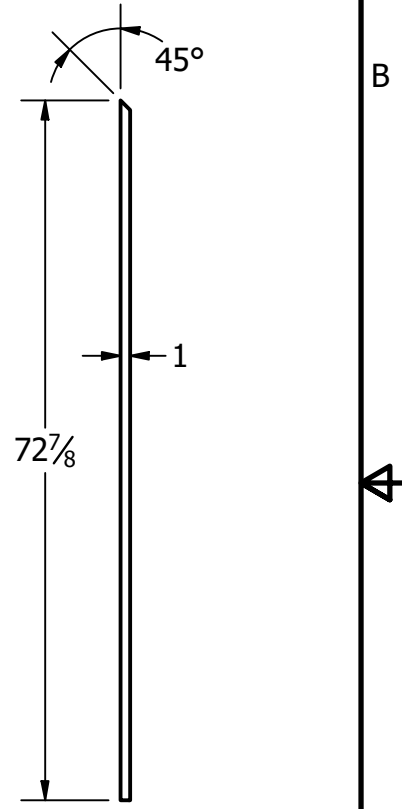
PARTS LIST			
ITEM	QTY	PART NUMBER	DESCRIPTION
1	1	APMB-100	3-1/2 X 3-1/2 X 54"
2	3	APMB-102	2 X 3 X 49-1/2"
3	7	APMB-118	1 X 4 X 72-7/8"



ITEM 1
SCALE 1/20



ITEM 2
SCALE 1/20



ITEM 3
SCALE 1/20

Full Circle Plastics Ltd.		
Part #	APMB-501	
Material		
2022-02-08	Rev:	SHEET 1 OF 1

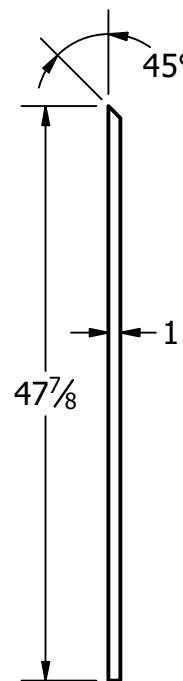
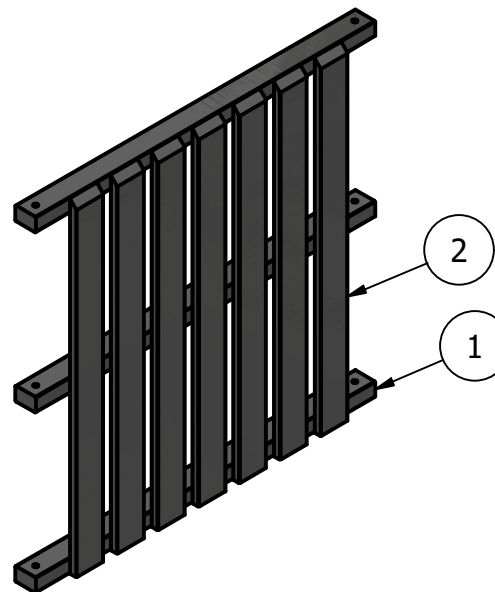
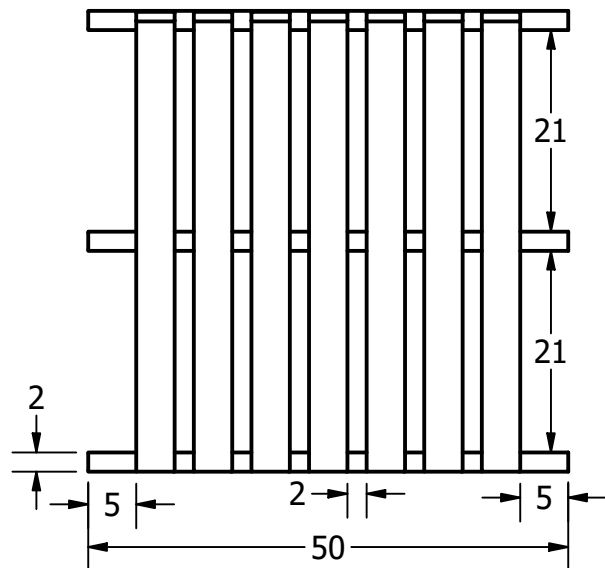
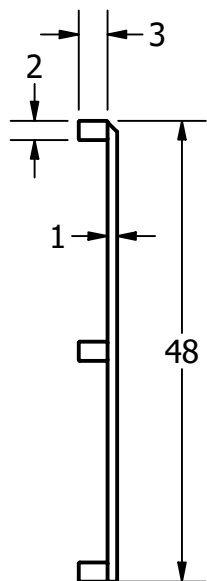
2



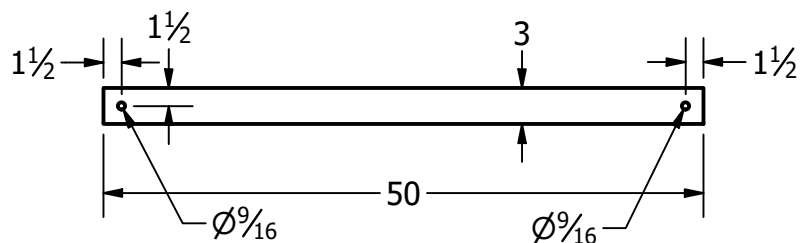
1

PARTS LIST

ITEM	QTY	PART NUMBER	DESCRIPTION
1	3	APMB-103	2 X 3 X 50"
2	7	APMB-104	1 X 4 X 47-7/8"



ITEM 2
SCALE 1/16



ITEM 1
SCALE 1/16

Full Circle Plastics Ltd.

Part # APMB-502

Material

2022-02-08

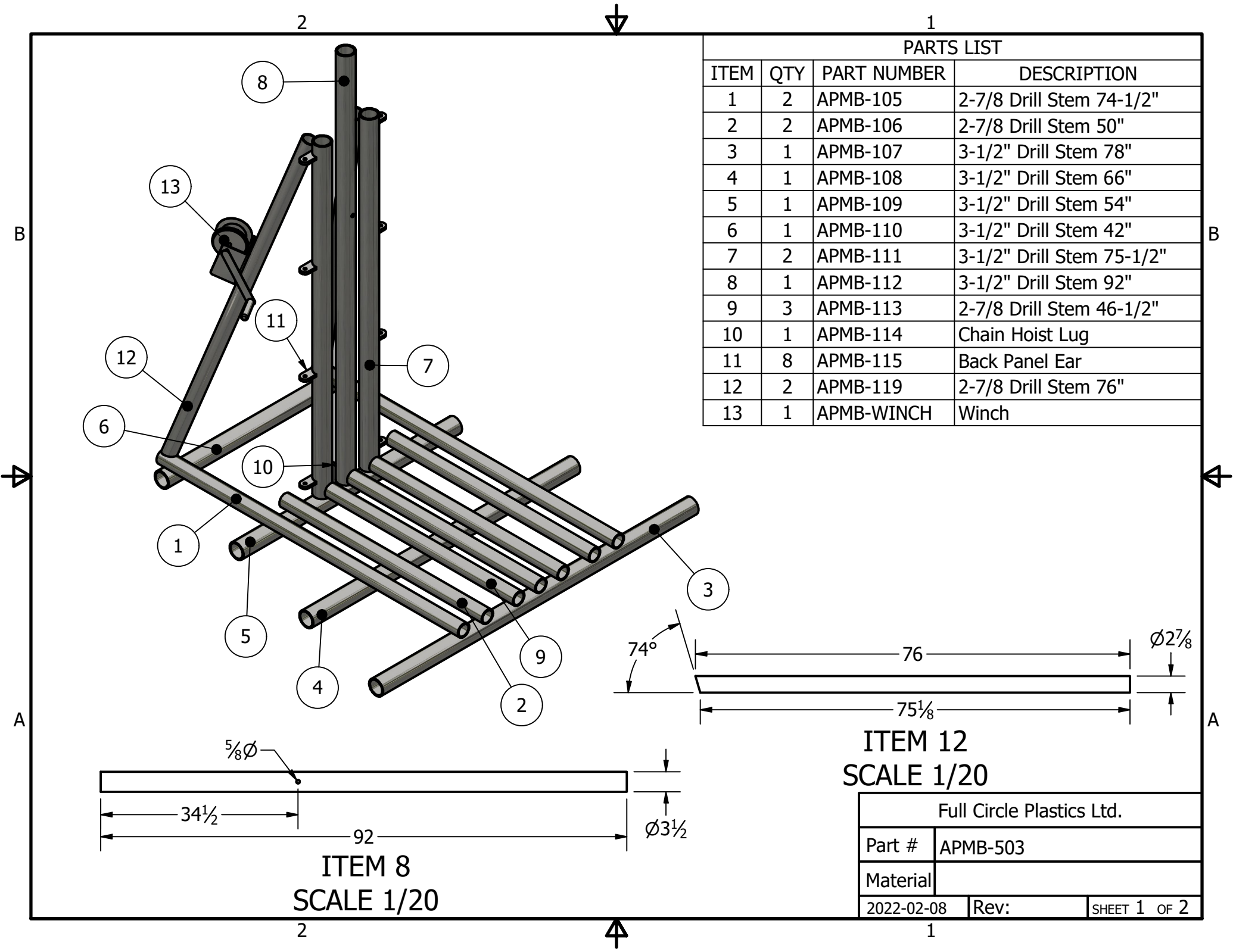
Rev:

SHEET 1 OF 1

2

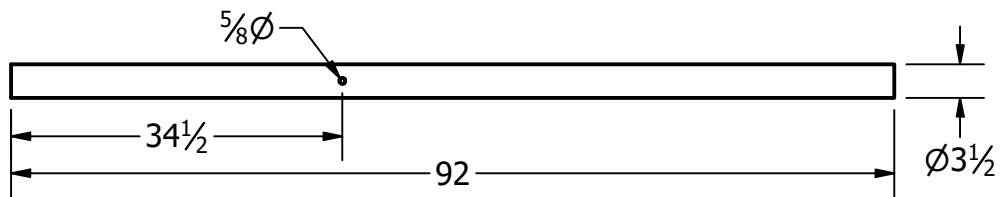
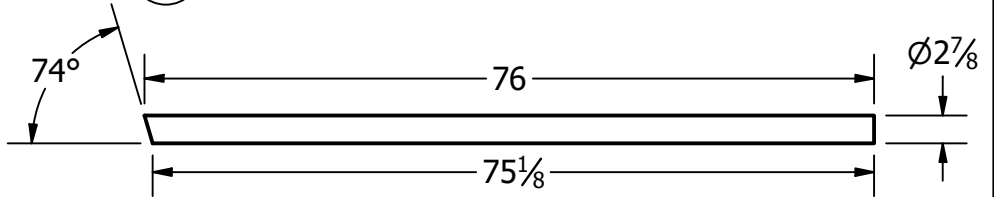


1



1 PARTS LIST

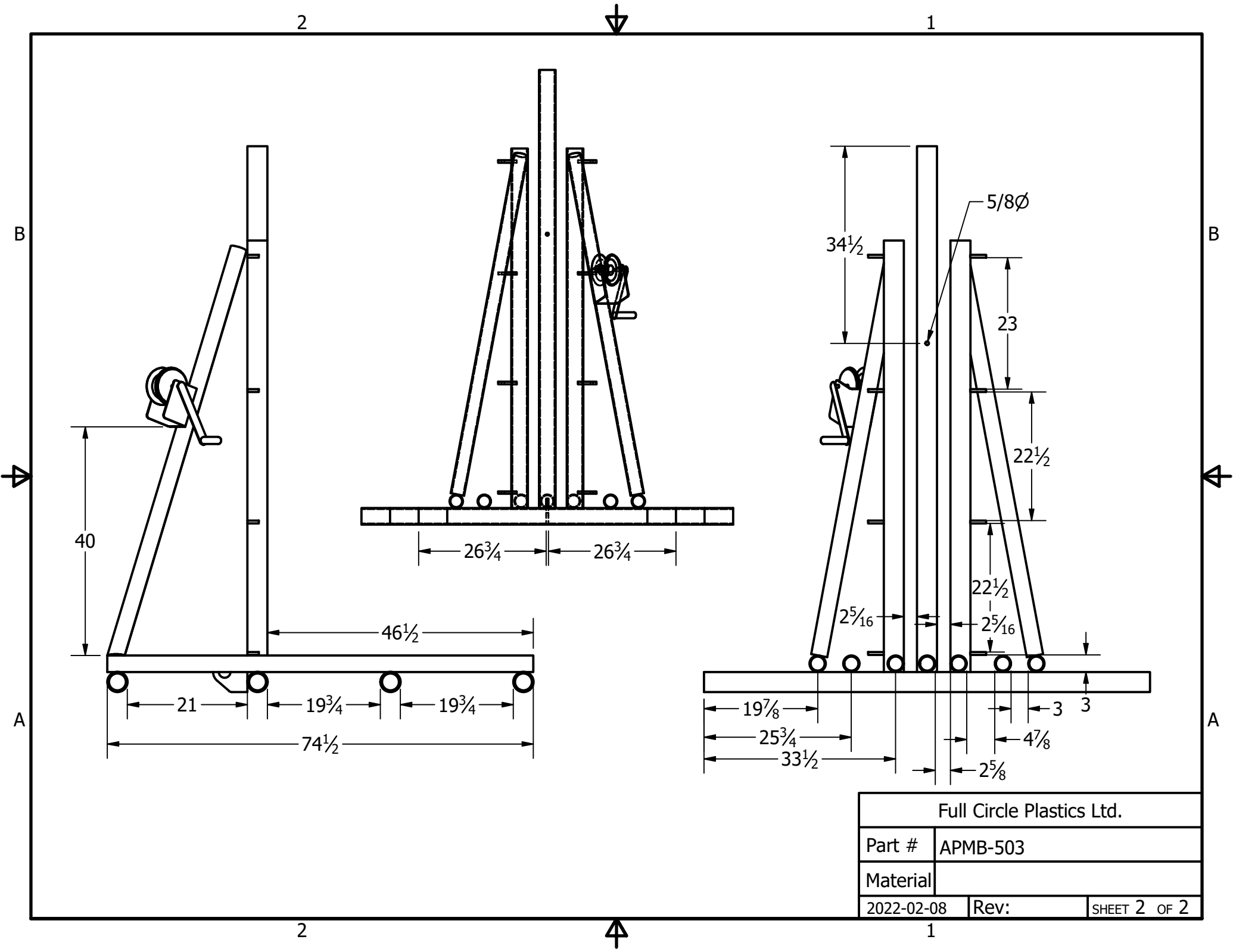
ITEM	QTY	PART NUMBER	DESCRIPTION
1	2	APMB-105	2-7/8 Drill Stem 74-1/2"
2	2	APMB-106	2-7/8 Drill Stem 50"
3	1	APMB-107	3-1/2" Drill Stem 78"
4	1	APMB-108	3-1/2" Drill Stem 66"
5	1	APMB-109	3-1/2" Drill Stem 54"
6	1	APMB-110	3-1/2" Drill Stem 42"
7	2	APMB-111	3-1/2" Drill Stem 75-1/2"
8	1	APMB-112	3-1/2" Drill Stem 92"
9	3	APMB-113	2-7/8 Drill Stem 46-1/2"
10	1	APMB-114	Chain Hoist Lug
11	8	APMB-115	Back Panel Ear
12	2	APMB-119	2-7/8 Drill Stem 76"
13	1	APMB-WINCH	Winch



ITEM 8
SCALE 1/20

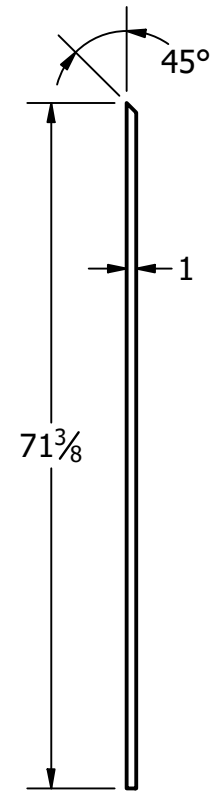
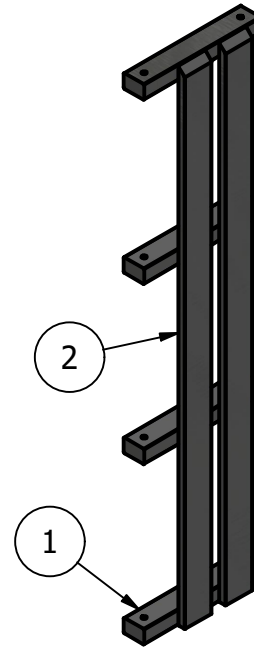
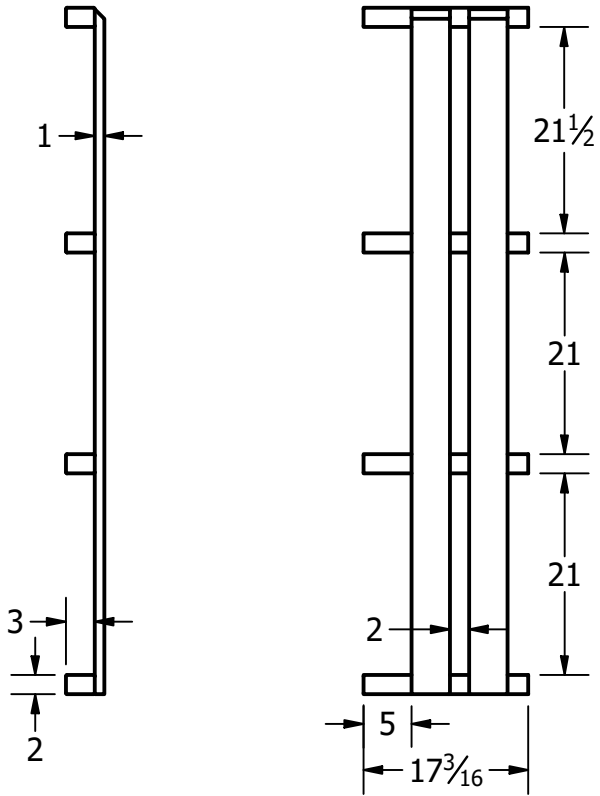
ITEM 12
SCALE 1/20

Full Circle Plastics Ltd.		
Part #	APMB-503	
Material		
2022-02-08	Rev:	SHEET 1 OF 2

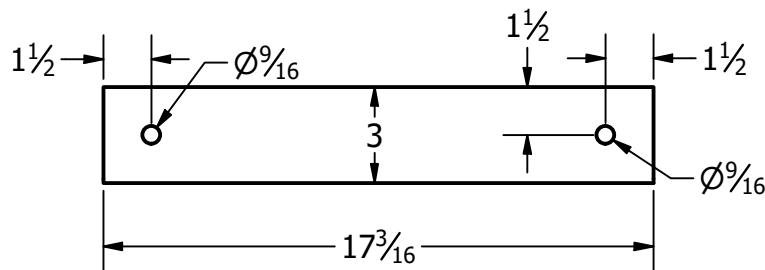


Full Circle Plastics Ltd.		
Part #	APMB-503	
Material		
2022-02-08	Rev:	SHEET 2 OF 2

PARTS LIST			
ITEM	QTY	PART NUMBER	DESCRIPTION
1	4	APMB-116	2 X 3 X 17-3/16"
2	2	APMB-117	1 X 4 X 71-3/8"



ITEM 2
SCALE 1/20



ITEM 1
SCALE 1/6

Full Circle Plastics Ltd.		
Part #	APMB-504	
Material		
2022-02-08	Rev:	SHEET 1 OF 1

2

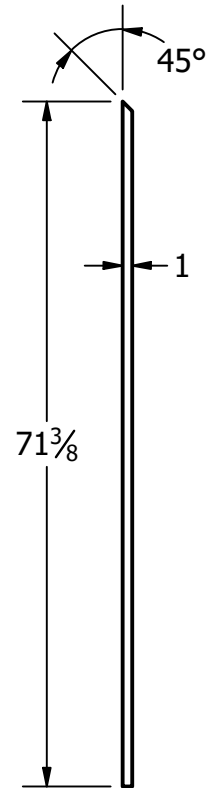
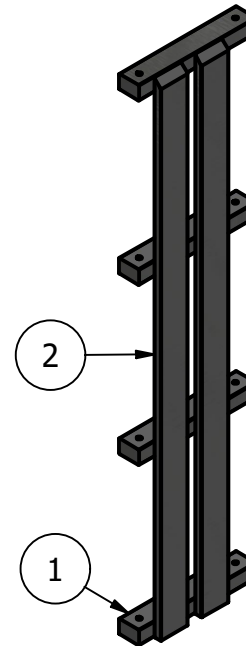
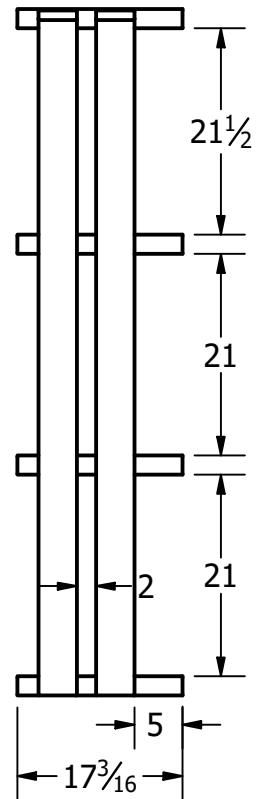
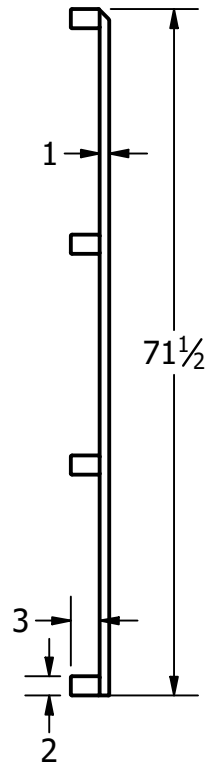


1

PARTS LIST

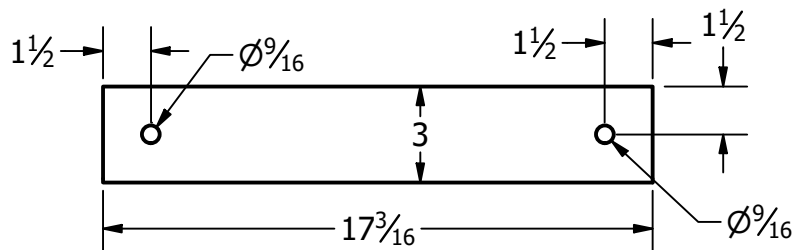
ITEM	QTY	PART NUMBER	DESCRIPTION
1	4	APMB-116	2 X 3 X 17-3/16"
2	2	APMB-117	1 X 4 X 71-3/8"

B



B

A



ITEM 1
SCALE 1/6

ITEM 2
SCALE 1/20

A

Full Circle Plastics Ltd.

Part # APMB-505

Material

2022-02-08

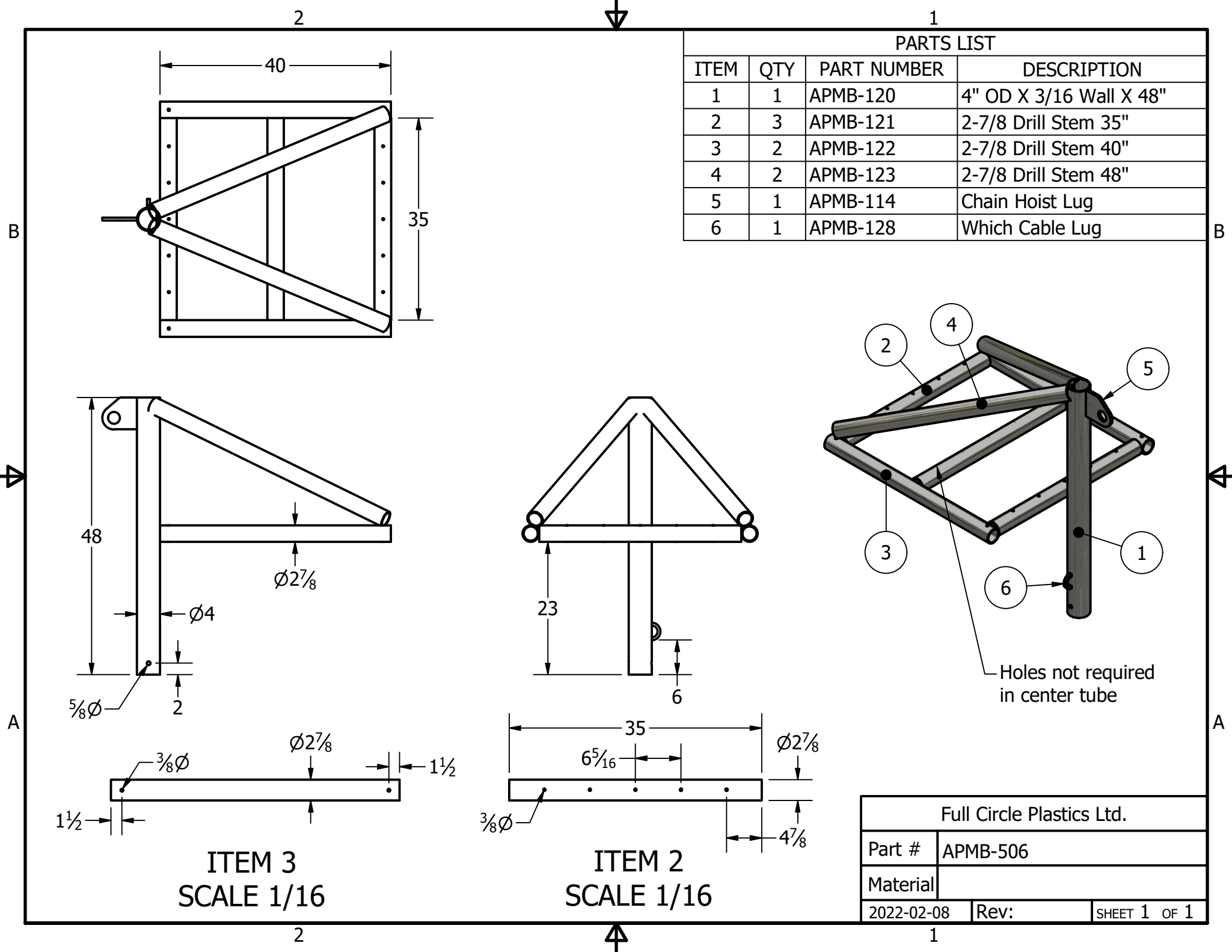
Rev:

SHEET 1 OF 1

2



1



PARTS LIST

ITEM	QTY	PART NUMBER	DESCRIPTION
1	1	APMB-120	4" OD X 3/16 Wall X 48"
2	3	APMB-121	2-7/8 Drill Stem 35"
3	2	APMB-122	2-7/8 Drill Stem 40"
4	2	APMB-123	2-7/8 Drill Stem 48"
5	1	APMB-114	Chain Hoist Lug
6	1	APMB-128	Which Cable Lug

B

B

A

A

A

A

ITEM 3
SCALE 1/16

ITEM 2
SCALE 1/16

Full Circle Plastics Ltd.		
Part #	APMB-506	
Material		
2022-02-08	Rev:	SHEET 1 OF 1

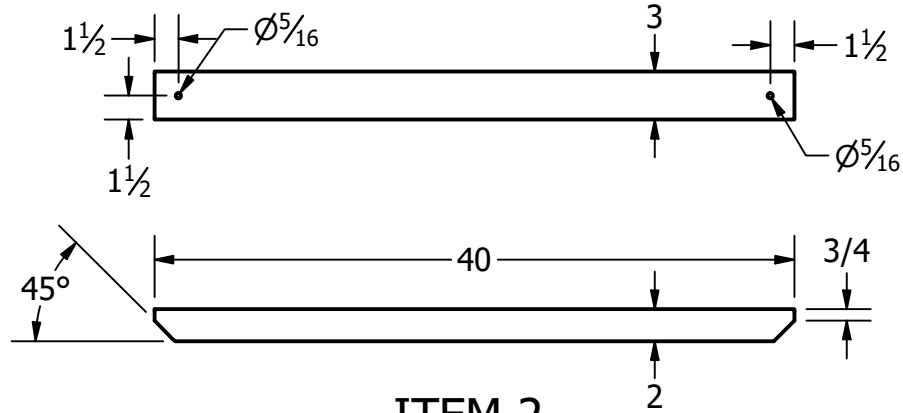
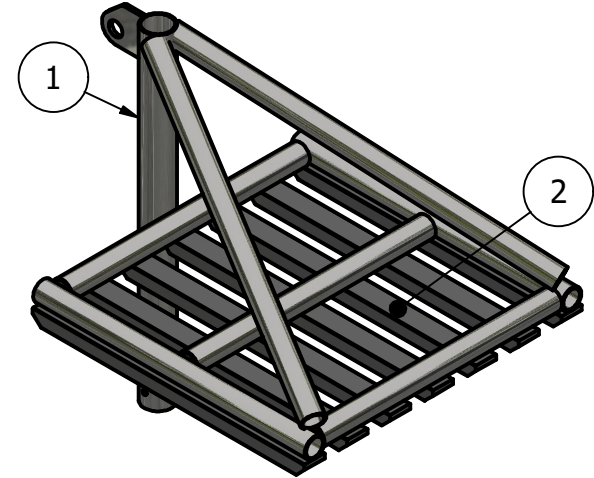
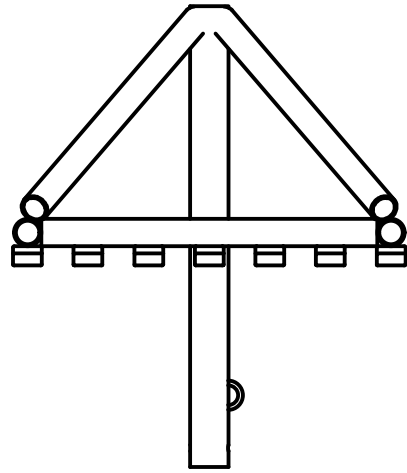
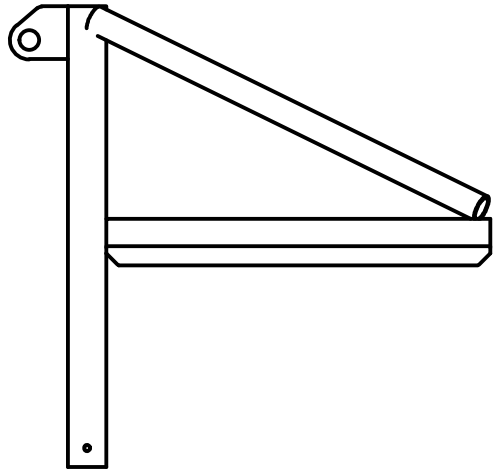
Holes not required in center tube

2



1

PARTS LIST			
ITEM	QTY	PART NUMBER	DESCRIPTION
1	1	APMB-506	Metal Frame
2	7	APMB-124	2 x 3 x 40"



ITEM 2
SCALE 1/12

Full Circle Plastics Ltd.		
Part #	APMB-507	
Material		
2022-02-08	Rev:	SHEET 1 OF 1

2

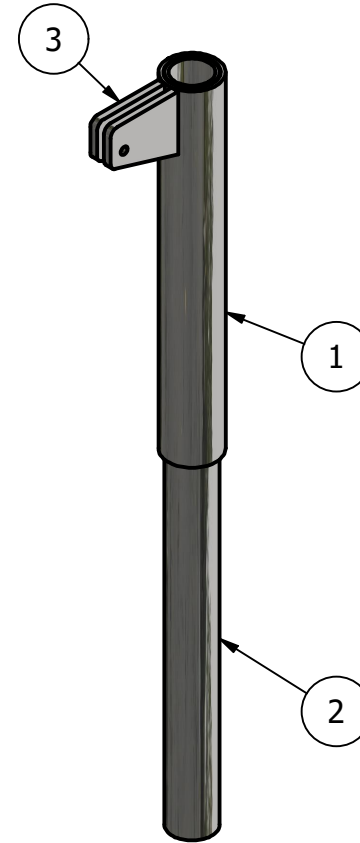
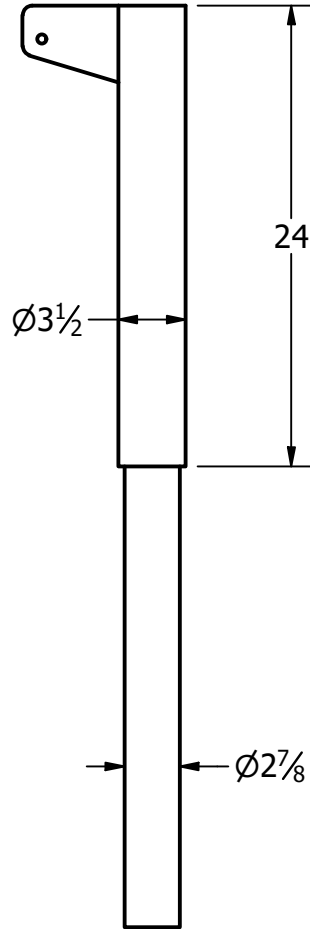
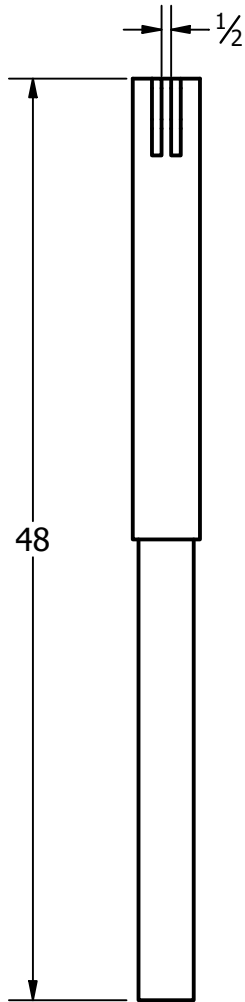


1

2

1

PARTS LIST			
ITEM	QTY	PART NUMBER	DESCRIPTION
1	1	APMB-125	3-1/2 Drill Stem 24"
2	1	APMB-126	2-7/8 Drill Stem 48"
3	2	APMB-127	Pulley Lug



Full Circle Plastics Ltd.		
Part #	APMB-508	
Material		
2022-02-08	Rev:	SHEET 1 OF 1

2

1